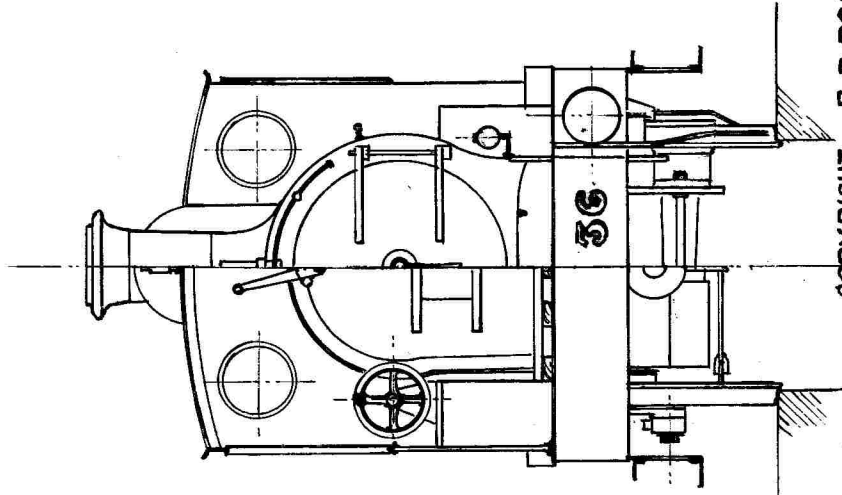
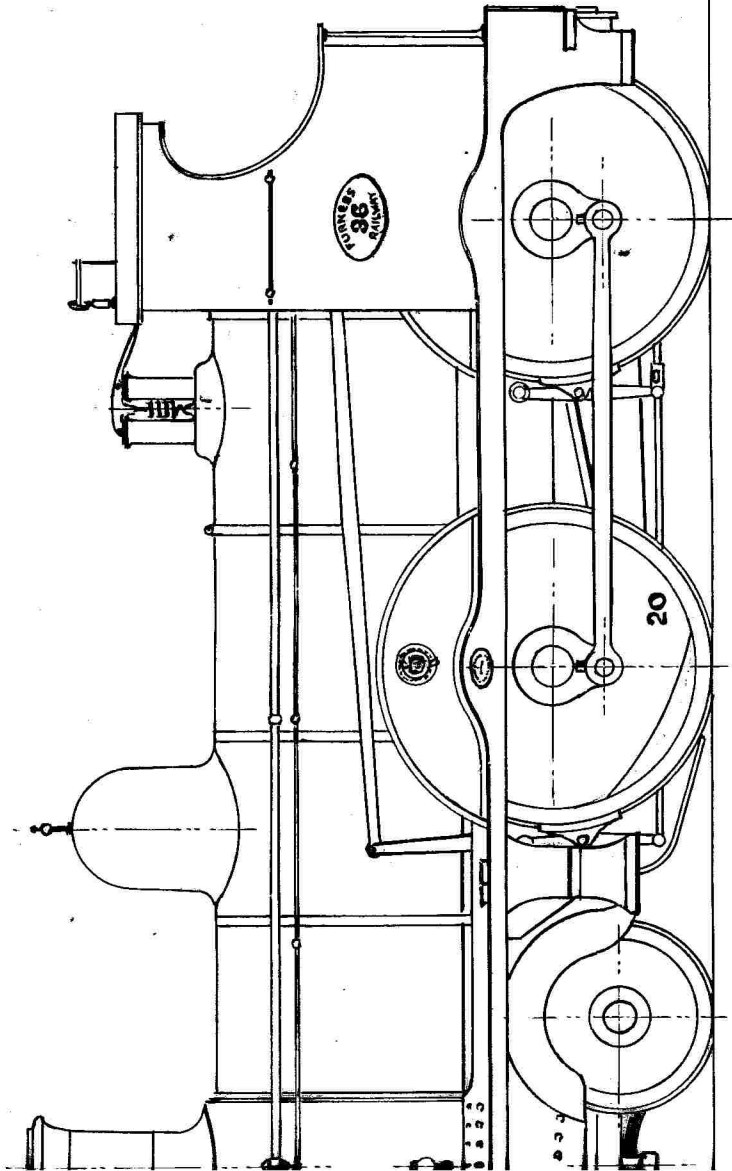


F. R. "ENLARGED S



COPYRIGHT R.D. POCHIN

F.R. "ENLARGED SEAGULL" 1896

7^m/m² 1ft

Shillegah 029