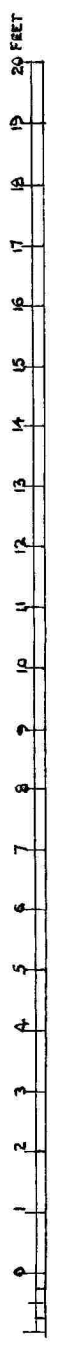
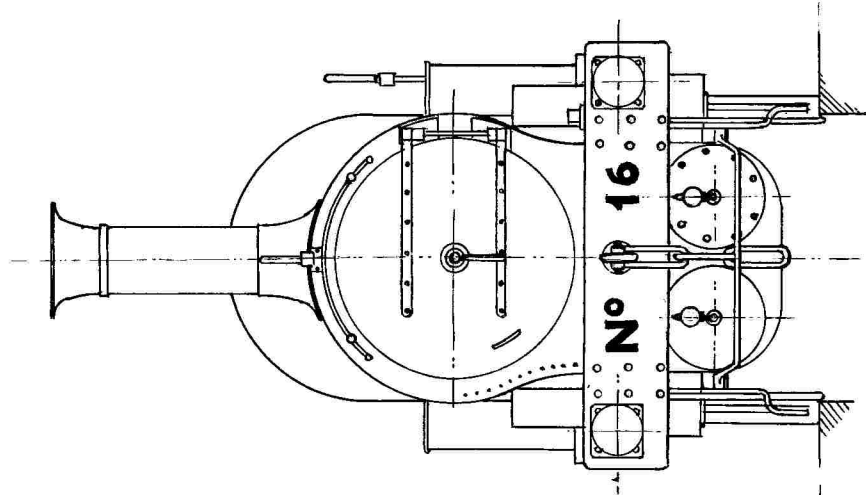


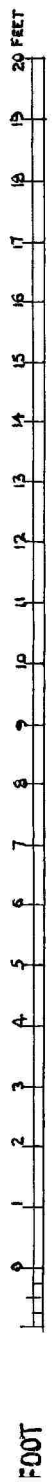
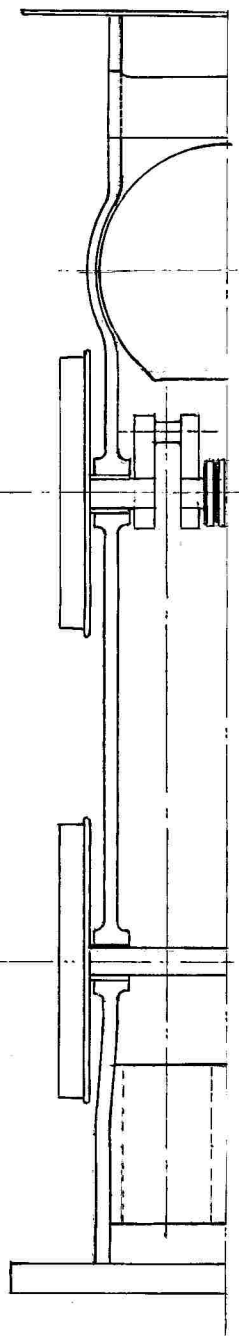
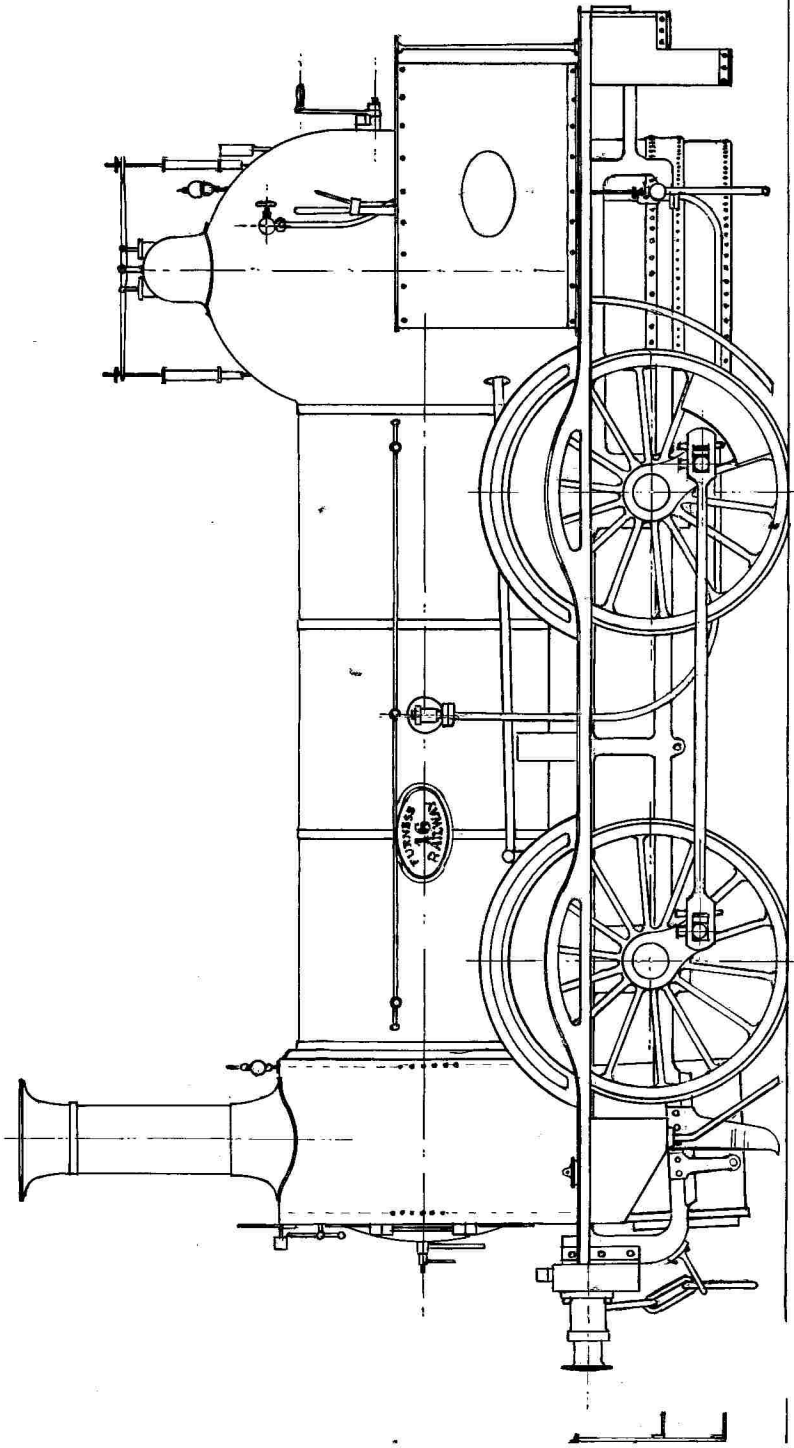
SCALE 8m/m = 1FOOT





FURNESS RAILWAY
CLASS A4. N°16
FAIRBAIRN, MANCHESTER 1861

Drawing based on recorded dimensions and photos. R.D.Pochin 1973



Shillecock 023