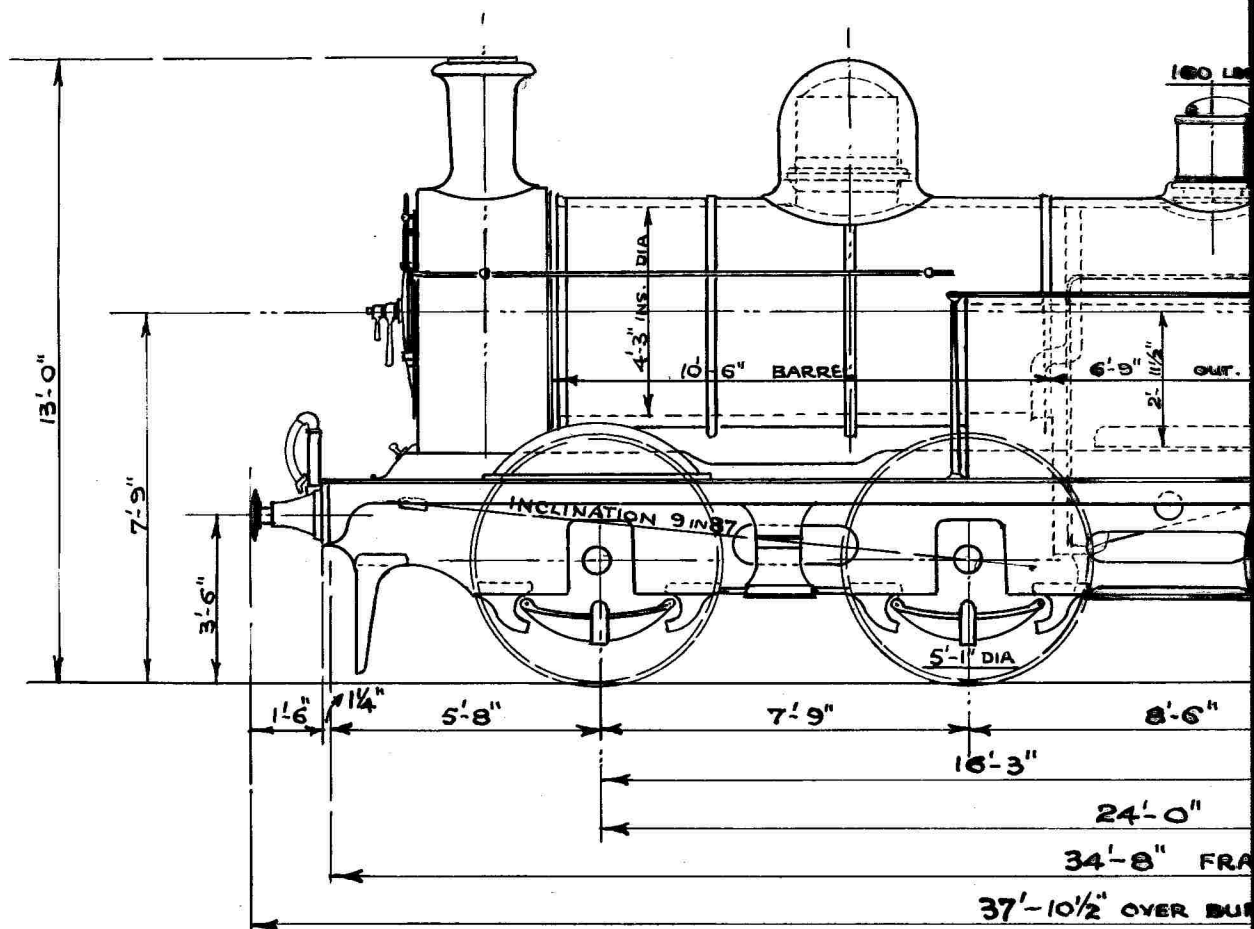


# 18" x 26" RADIAL TANK

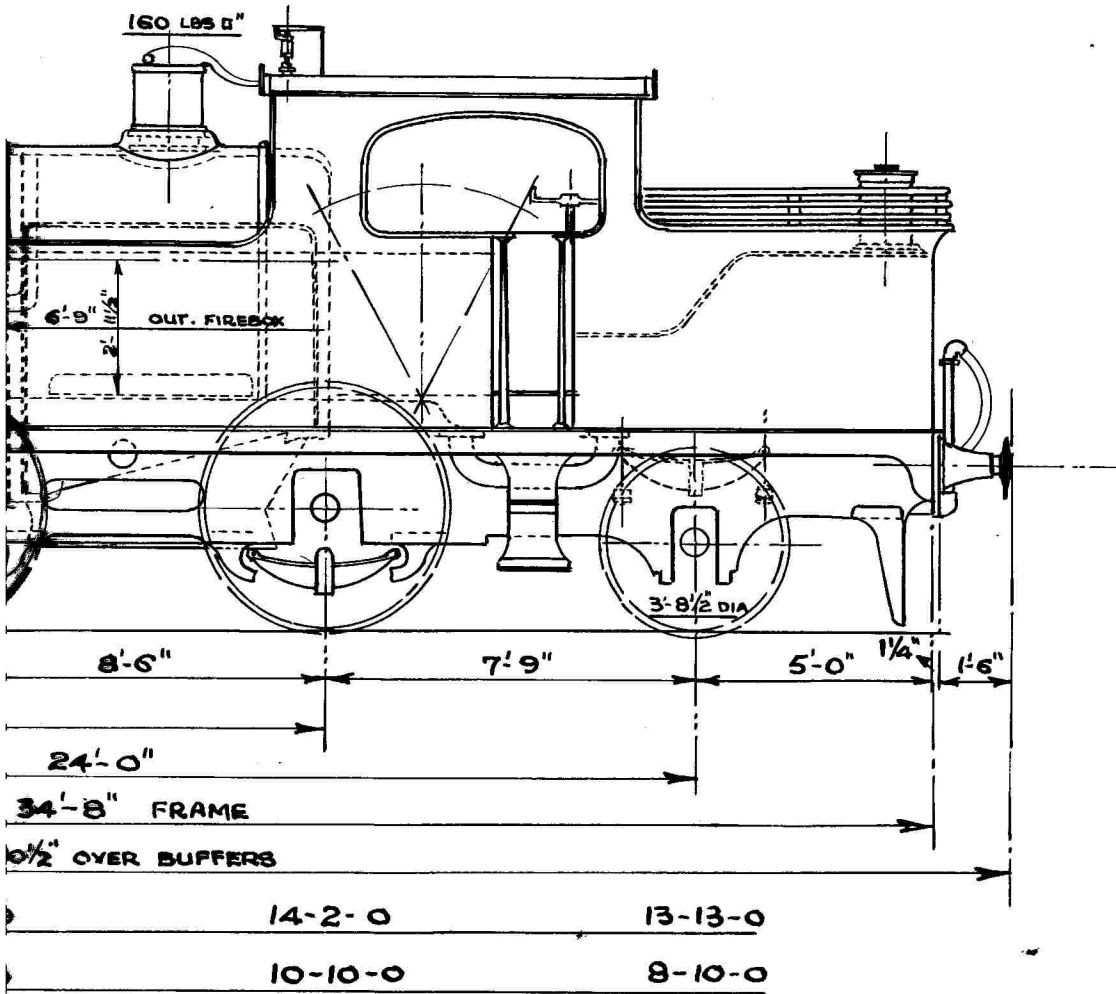


LOADED	14-0-0	15-2-0
LIGHT	13-2-0	13-11-0
TOTAL WEIGHT LOADED		56
" " LIGHT		45

CYLINDERS (2 INSIDE) 18" DIA x 26" STROKE			
FIREBOX HEATING SURFACE	105 SQ. FT.	WORKING PRESSURE	160 LBS Q"
TUBES	" " 1,029 " "	208 TUBES	1 3/4" EXT. DIA.
TOTAL	" " 1,134 " "	No: IN CLASS	6
GRATE AREA	20.5 " "	ENGINE NOS.	{ F.R. 96, 97, 108 TO 111 LMS. 11635 TO 11640
			TRACTIVE

**L TANK ENGINES.**

14



GRADED 56-17-0

LIGHT 45-13-0

	ADHESION @ 450 LBS PER TON 19,440 LBS
	" " 600 " " 25,920 "
WIDTH OVER FOOTPLATE 7'-10"	MAX. ROLLING LOAD ON 30' SPAN 27.5 TONS
WATER CAPACITY 1700 GALLS	" LOAD PER FT. RUN OVER BUFFERS 1.5 "
COAL " 3 TONS	" " " " " WHEELBASE 2.36 "
TRACTIVE EFFORT 18,781 LBS	