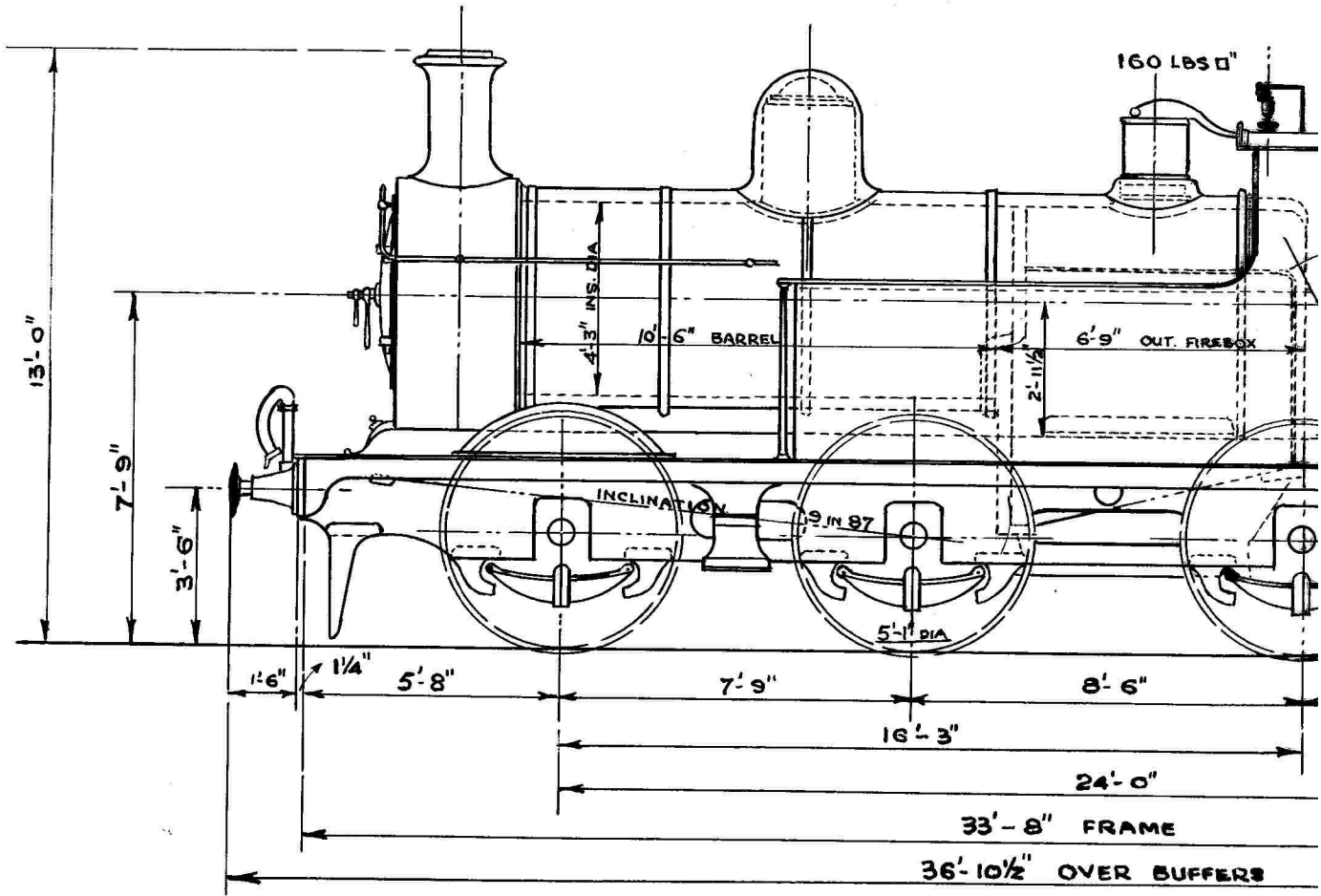


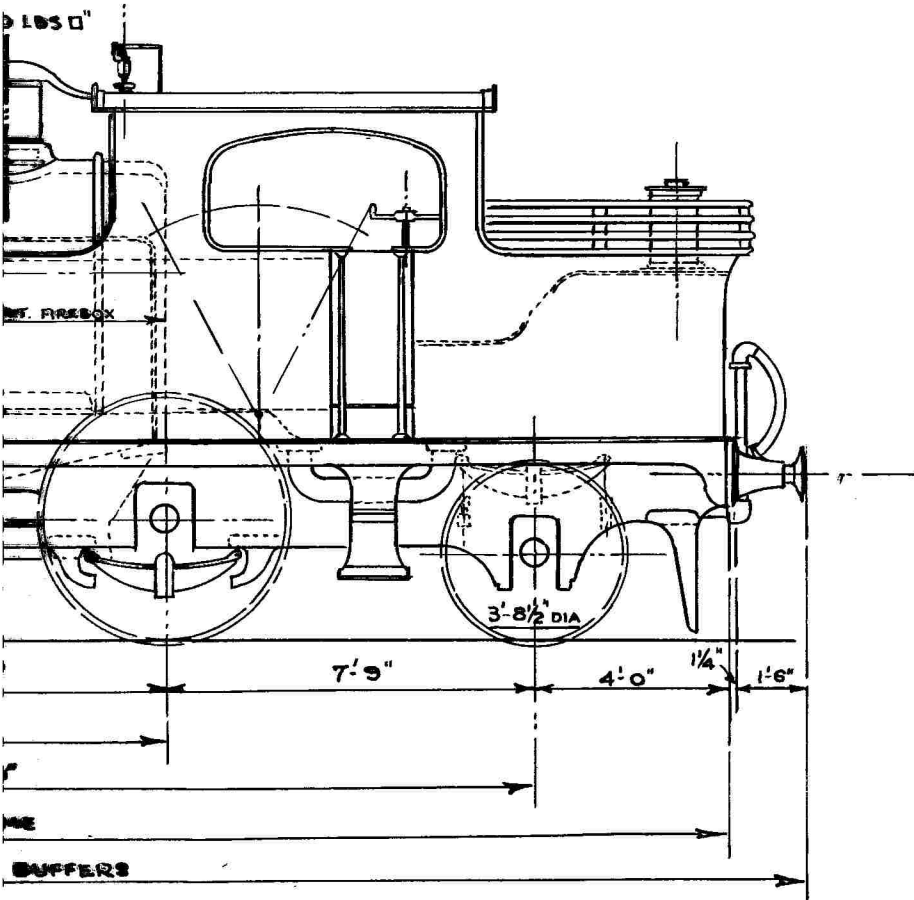
18" x 26" RADIAL TANK EN



LOADED	14-11-0	14-10-0	14-2
LIGHT	13-9-0	13-7-0	10-5
TOTAL WEIGHT LOADED			55-3
" " LIGHT			44-1

CYLINDERS (2. INSIDE) 18" DIA x 26" STROKE			
FIREBOX HEATING SURFACE 105 SQ. FT.	WORKING PRESSURE 160 LBS Q"	WIDTH OVER	
TUBES " " 1,029 " "	208 TUBES 1 3/4" EXT. DIA.	WATER CAPAC	
TOTAL " " 1,134 " "	NO. IN CLASS 10	COAL "	
GRATE AREA 20.5 " "	ENGINES NOS. { F.R. 98 TO 107 LMS 11625 TO 11634	TRACTIVE EF	

15



14-2-0	12-0-0
10-5-0	7-18-0
55-3-0	
44-19-0	

		ADHESION @ 450 LBS PER TON - 19,417 LBS
		" " 600 " " " 25,890 "
WIDTH OVER FOOTPLATE	7'-10"	MAX. ROLLING LOAD ON 30 FT. SPAN 26.2 TONS
WATER CAPACITY	1,700 GALLS	" LOAD PER FT. RUN OVER BUFFERS 1.49 "
WEIGHT	2 TONS	" " " " " " WHEELBASE 2.3 "
TRACTIVE EFFORT	18,781 LBS.	