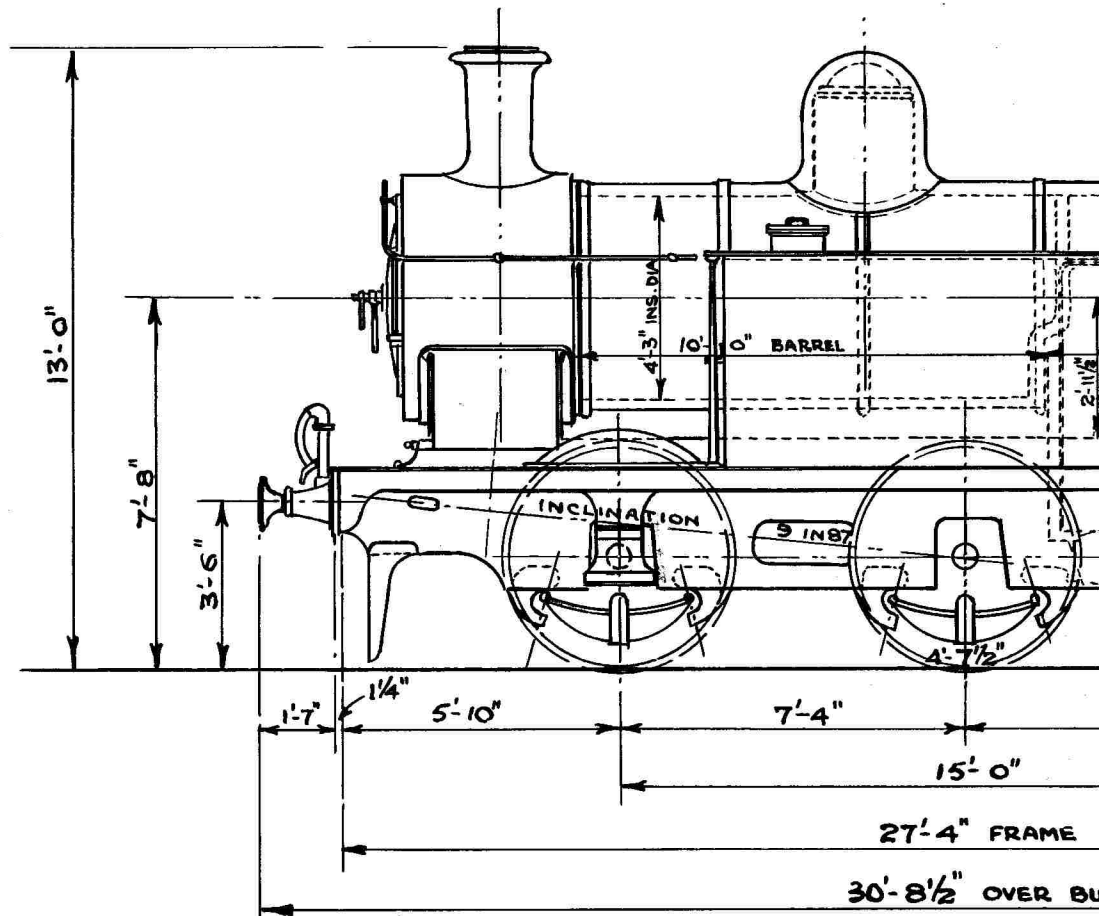


# 17½" x 24" TANK



LOADED	15-5-0	16-5-0
LIGHT	12-10-0	14-7-0

TOTAL WEIGHT LOADED  
" " LIGHT

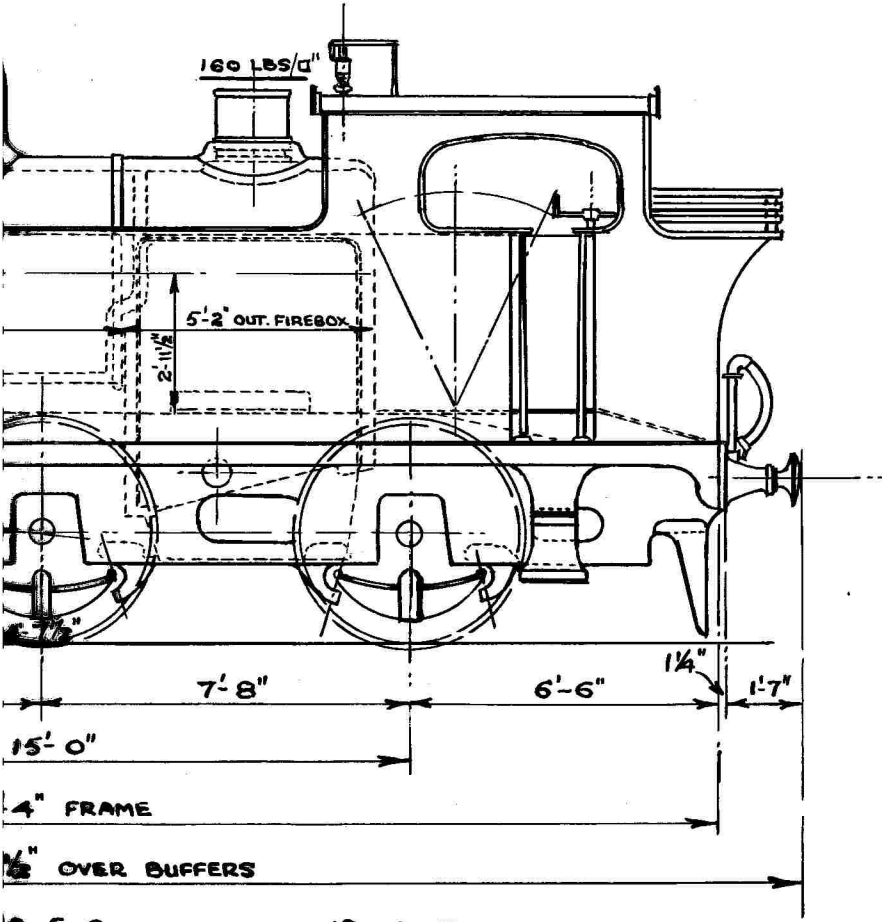
CYLINDERS (2: INSIDE) 17½" DIA x 24" STROKE		
FIREBOX HEATING SURFACE 88 SQ. FT.	WORKING PRESSURE 160 LBS/Ø"	WIDTH OVER
TUBES " " 982 " "	208 TUBES 1¾" EXT. DIA.	WATER CAP
TOTAL " " 1070 " "	NO: IN CLASS 4	COAL
GRATE AREA 15.4 " "	ENGINE NOS: { F.R. 51 TO 54 LMS 11559 TO 11562	TRACTIVE F

# TANK ENGINES

51,52. 2 BUILT BY KITSON & CO IN 1915

53,54 " " " VULCAN FOUNDRY 1916

17



6-5-0	18-0-0
4-7-0	12-8-0
LOADED	49-10-0
LIGHT	39-5-0

ADHESION @ 450 LBS PER TON	22,275 LBS
" " 600 " " "	29,700 "
MAX. ROLLING LOAD ON 30' SPAN	33.2 TONS
" LOAD PER FT. RUN OVER BUFFERS	1.61 "
" " " " " WHEELBASE	3.3 "

WIDTH OVER FOOTPLATE	8'-0"
WATER CAPACITY	1070 GALLS
WEIGHT	2 TONS 5 CWT.
TRACTIVE EFFORT	18,011 LBS