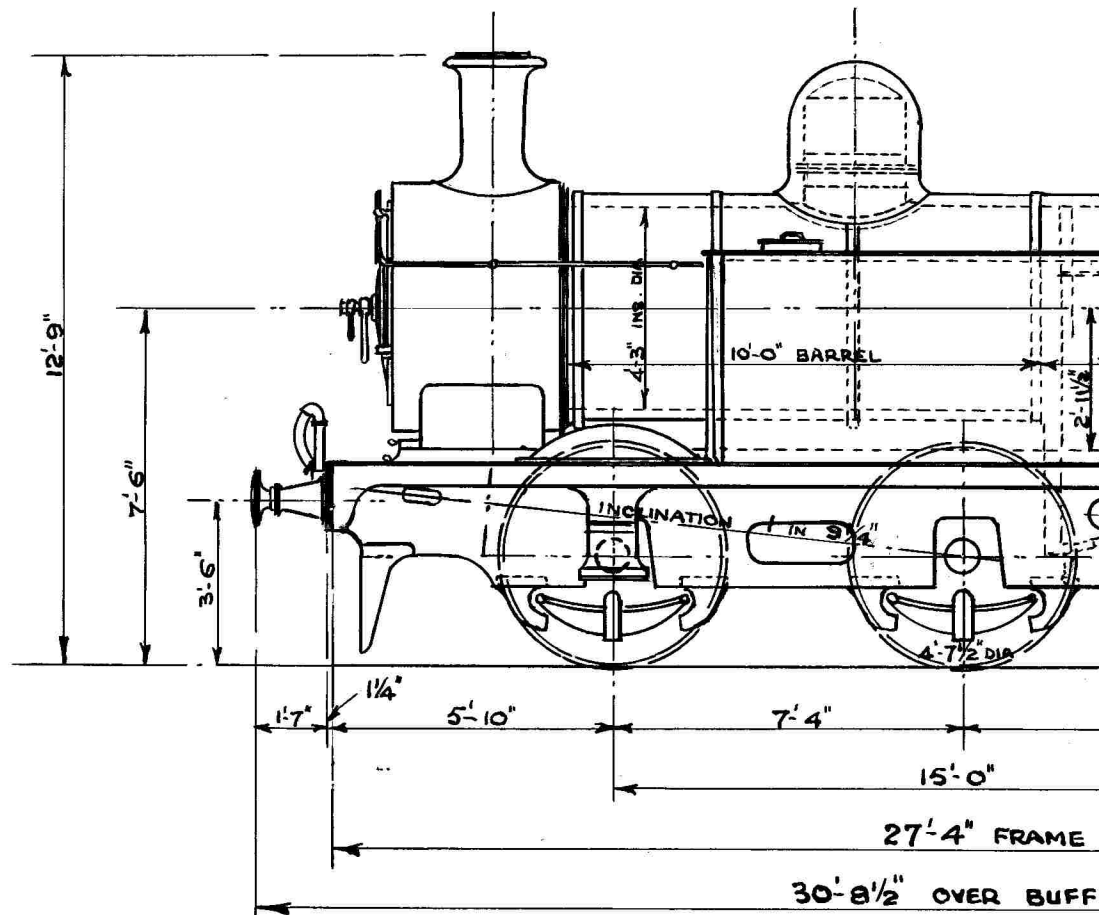


# 17½" x 24" TAN

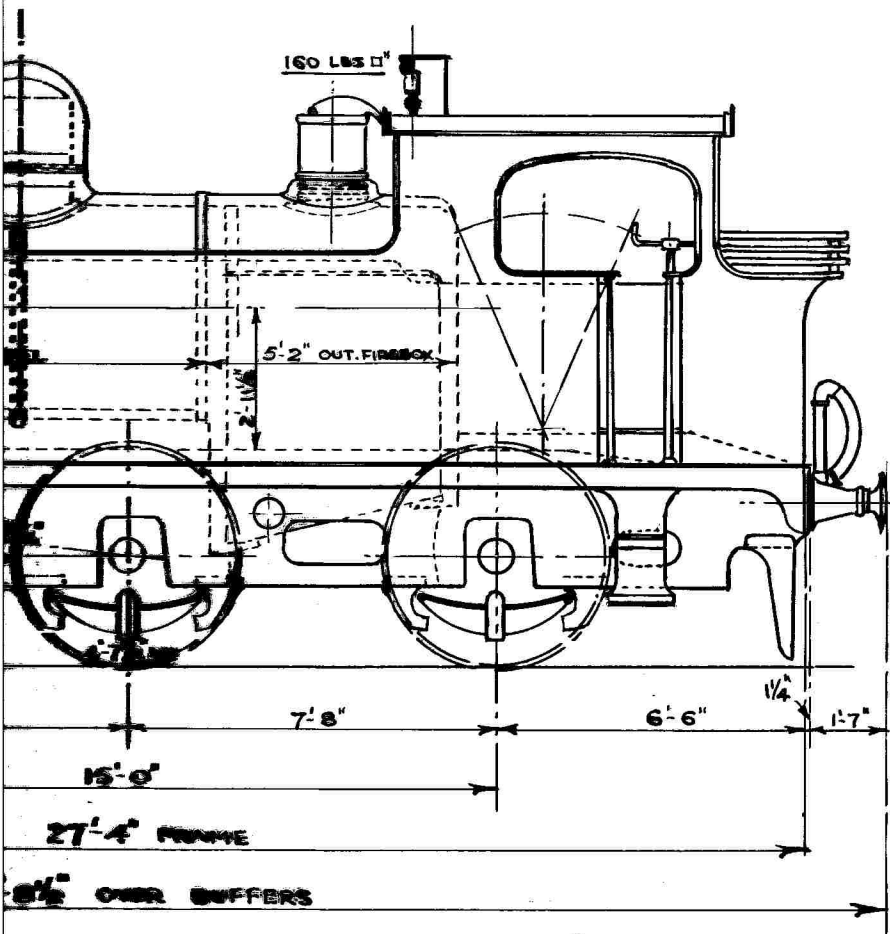


LOADED	14-1-0	17-16-0
LIGHT	13-10-0	13-7-0
TOTAL WEIGHT - LOADED		
" " LIGHT		

CYLINDERS (2: INSIDE) 17½" DIA x 24" STROKE		
FIREBOX HEATING SURFACE 88 SQ. FT.	WORKING PRESSURE 160 LBS/□"	WIDTH OVER
TUBES " " 982 " "	208 TUBES 1¾" EXT. DIA.	WATER CAP
TOTAL " " 1070 " "	NO: IN CLASS 6	COAL
GRATE AREA 15.4 " "	ENGINE NOS { F.R. 55 TO 60 LMS. 11553 TO 11558	TRACTIVE E



# 24' TANK ENGINES



	17-16-0	17-0-0
	B-7-0	12-6-0
- LOADED	48-17-0	
LIGHT	39-3-0	

		ADHESION @ 450 LBS PER TON 22,132
		" " 600 " " " 29,310 "
WIDTH OVER FOOTPLATE	8'-0"	MAX. ROLLING LOAD ON 30' SPAN 32.7 TONS
WATER CAPACITY	1050 GALS	" LOAD PER FT. RUN OVER BUFFERS 1.57 "
COAL	2 TONS	" " " " " " WHEELBASE 3'-22 "
TRACTIVE EFFORT	18,011 LBS.	